

(19) World Intellectual Property Organization
International Bureau



(43) International Publication Date
17 March 2005 (17.03.2005)

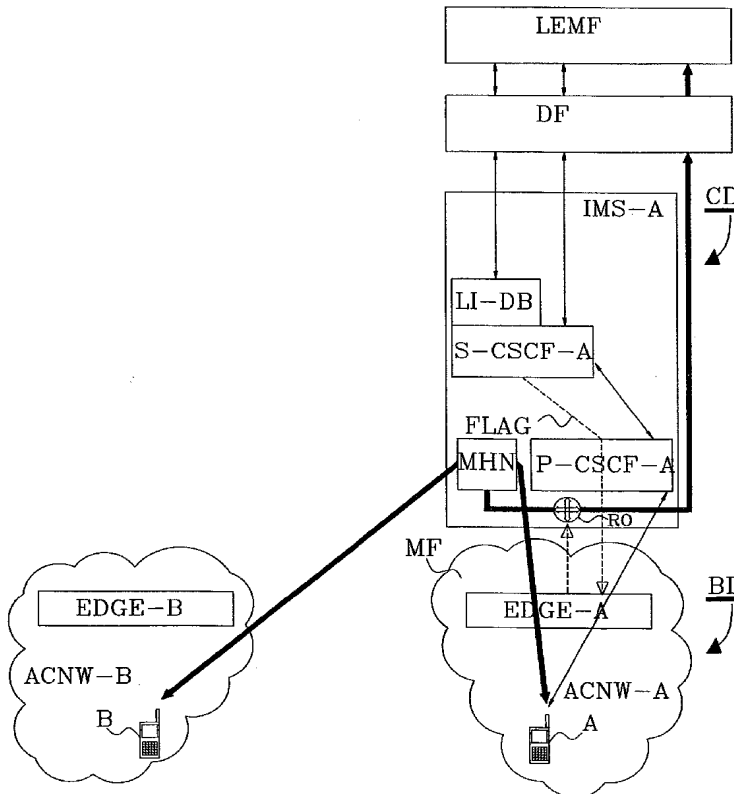
PCT

(10) International Publication Number
WO 2005/025133 A1

- (51) International Patent Classification⁷: **H04L 12/26** (SE). AXELSSON, Håkan [SE/SE]; Blodstenvägen 25, S-752 58 Uppsala (SE).
- (21) International Application Number: PCT/SE2003/001392 (74) Agent: ERICSSON AB; Patent Unit Core Networks, Telefonplan/Älvsjö, S-126 25 Stockholm (SE).
- (22) International Filing Date: 5 September 2003 (05.09.2003) (81) Designated States (national): AE, AG, AL, AM, AT, AU, AZ, BA, BB, BG, BR, BY, BZ, CA, CH, CN, CO, CR, CU, CZ, DE, DK, DM, DZ, EC, EE, ES, FI, GB, GD, GE, GH, GM, HR, HU, ID, IL, IN, IS, JP, KE, KG, KP, KR, KZ, LC, LK, LR, LS, LT, LU, LV, MA, MD, MG, MK, MN, MW, MX, MZ, NI, NO, NZ, OM, PG, PH, PL, PT, RO, RU, SC, SD, SE, SG, SK, SL, SY, TJ, TM, TN, TR, TT, TZ, UA, UG, US, UZ, VC, VN, YU, ZA, ZM, ZW.
- (25) Filing Language: English
- (26) Publication Language: English
- (71) Applicant: TELEFONAKTIEBOLAGET LM ERICSSON (publ) [SE/SE]; S-164 83 Stockholm (SE).
- (72) Inventors; and
- (75) Inventors/Applicants (for US only): EKSTRÖM, Bo [SE/SE]; Kommendörsgatan 25, S-114 48 Stockholm
- (84) Designated States (regional): ARIPO patent (GH, GM, KE, LS, MW, MZ, SD, SL, SZ, TZ, UG, ZM, ZW), Eurasian patent (AM, AZ, BY, KG, KZ, MD, RU, TJ, TM), European patent (AT, BE, BG, CH, CY, CZ, DE, DK, EE,

[Continued on next page]

(54) Title: MONITORING IN A TELECOMMUNICATION NETWORK



(57) Abstract: The present invention relates to a method for monitoring media flow in a telecommunication network. The network comprises a media-handling node (MHN) through which, sessions between subscribers are transported via first ports (PI1-PI5) and second ports (PO1-PO5). An extra port (XP1-XP5) is assigned to the media-handling node (MHN) for each new session that is transported through the node. The method comprises the following steps: storing in a database (LI-DB), identification of a first subscriber (A) for which monitoring is desired; a connection is set-up between the first subscriber (A) and second subscriber (B); an assigned extra port (XP1) that is adherent to the session between the first and second subscriber (A, B) is connected; the session between the first and second subscriber is monitored via the connected extra port (XP1).

WO 2005/025133 A1



ES, FI, FR, GB, GR, HU, IE, IT, LU, MC, NL, PT, RO,
SE, SI, SK, TR), OAPI patent (BF, BJ, CF, CG, CI, CM,
GA, GN, GQ, GW, ML, MR, NE, SN, TD, TG).

For two-letter codes and other abbreviations, refer to the "Guidance Notes on Codes and Abbreviations" appearing at the beginning of each regular issue of the PCT Gazette.

Published:

— *with international search report*

MONITORING IN A TELECOMMUNICATION NETWORK**TECHNICAL FIELD OF THE INVENTION**

The present invention relates to methods and arrangements for monitoring media flow in a telecommunication network that comprises a control domain that handles session
5 control, and a bearer domain that handles the media flow.

DESCRIPTION OF RELATED ART

Three major trends currently occurs in telecommunication, i.e. 1) increasing amount of data traffic, 2) real-time
10 communication goes from circuit switching to packet switching, and 3) new focus of real-time in packet switching, for example video and multimedia. The ever increasing amount of data traffic as well as real-time communication in packet switched networks leads to a demand for monitoring of this
15 data traffic with the same level of security and confidentiality as known from circuit switched networks monitoring. In circuit switched networks, e.g. telephony networks, it is customary to monitor communication connections from a remote operation centre so that a network
20 operator wishing to operate real time traffic can constantly receive information on the quality of the communication lines. Another application of monitoring is lawful interception, i.e. the act of intercepting a communication on behalf of a law enforcement agency.

25 From the above, it is only natural that network operators will want to continue such monitoring approaches in other types of networks for example in packet switched networks.

One approach is described in the international application WO 02/102111. It is proposed to provide an interception unit
30 to store an identification of a communication connection to be monitored. A copying unit hereby copy selected cells to a monitoring connection. The solution according to the

international application implies isolation of cells to be intercepted. According to the international application, a predefined session is monitored by listen to the session via an extra port. There is a possibility with the solution in the international application, for the end-user, to find out with which IP address he is communicating, i.e. to find out that interception is going on. This possibility is considered as a drawback.

Requirements for lawful interception in 3GPP (3rd Generation Partnership Project) networks are being standardised within 3GPP and ETSI. So far requirements on IMS (IP Multimedia Subsystem) for multimedia communication are only concerned with IRI (Intercept Related Information) and not with CC (Content of Communication), i.e. the media flow. The solutions specified so far within the standardisation work foresee interception only of IRI from IMS. This is a natural consequence of the fact that CC is, for normal two-party sessions, not processed within IMS. This means that CC will have to be intercepted by involving the backbone or access network. However, some of sessions in 3GPP require special media nodes in the IP-based network in order to handle the media flow. The following are examples of such cases:

- Multi-party sessions within the IP-based network which requires a multi-party node.
- Interworking with the legacy telephone network which requires a media gateway for the media flow.
- Interworking with other types of IP-based networks (e.g. between a SIP-based (Session Initiation Protocol) and H.323-based network) which also requires a gateway for the media flow.

The invention that now will be presented refers to this type of sessions and it proposes a principle for intercepting the content of a session for these cases.

5 **SUMMARY OF THE INVENTION**

The present invention relates to problems how to conceal, to involved parties, monitoring of media flow when the flow is monitored via an extra port in a media-handling node. Assigning an extra port to a media-handling node is a
10 visible measure to an involved party.

The problem is solved by the invention by, for each media flow session that is transported through the media-handling node, assigning an extra port to the node and by connect assigned ports only for those sessions that are of interest
15 to monitor. While assigning an extra port to a media-handling node is a visible measure to involved parties, the connecting of the port is not. Monitoring of a session is difficult to detect for an involved party when extra ports always are assigned for each session.

20 More in detail, the problem is solved by a method for monitoring media session flow in a telecommunication network that comprises a media-handling node through which session flows. The session is hereby transported via inports and outports in the node. An extra port is assigned to the
25 media-handling node for each new session that is transported through the node. The method comprises the following further steps:

- Storing in a database LI-DB, identification of a first subscriber A for which monitoring is desired.
- 30 - Setting up a connection between the first subscriber A and a second subscriber B.

- Assigning an extra port (XP1) that is adherent to the session between the first and second subscriber (A, B).
 - Connecting the assigned extra port XP1 that is adherent to the session between the first and second subscriber A, B.
- 5 - Monitoring the session between the first and second subscriber via the extra port XP1.

An arrangement according to the invention comprises means for performing the above mentioned method steps.

10

The object of the present invention is to make it possible to perform real-time monitoring of Content of Communication flow and to conceal the monitoring to involved subscriber.

Another advantage is that a minimum of adaptations of the normal network functions is required.

15

Another advantage is that the invention makes it possible to perform real-time interception of the session initiated by the control network.

Another advantage is that the invention does not require any re-routing of the media session. Since the session is routed and treated exactly in the same manner as if the call was not intercepted it is impossible for the end user to find out whether the call is intercepted or not.

20

Yet another advantage is the possibility to conceal interception to other networks and to personnel that is involved in the operation and maintenance of the network.

25

The invention will now be described more in detail with the aid of preferred embodiments in connection with the enclosed drawings.

5 BRIEF DESCRIPTION OF THE DRAWINGS

Figure 1 belongs to prior art and discloses a block schematic illustration of two subscribers located in separate access networks. Control of the media flow is handled in a control domain and the media flow is handled in a bearer domain.
10

Figure 2 shows a block schematic illustration of two subscribers located in different access networks. The figure discloses interception according to the invention.

Figure 3 shows a block schematic illustration of a Media-handling Node.
15

Figure 4 shows a flow chart illustrating a method used to initiate interception according to the invention.

DETAILED DESCRIPTION OF EMBODIMENTS

20 At first, interception of Intercept Related Information IRI according to current standardisation will be briefly discussed together with figure 1. Intercept Related Information IRI is defined as signalling information related to subscribers. Figure 1 belongs to prior art and discloses
25 a first mobile subscriber A and a second mobile subscriber B. The subscriber A is located in a first access network ACNW-A, which network is subscriber A's home location. Subscriber B is located in a second access network ACNW-B. Media flow MF, for example speech, is communicated between
30 the subscribers A and B via a backbone network BBNW. The

media flow is transported in a path in the bearer domain BD. The control of the media flow takes place in the control domain CD. Control information can for example be, signalling during set-up of a call. The control information related to the A subscriber is handled in the IP multimedia subsystem domain IMS-A and the control information related to the B subscriber is handled in the IP multimedia subsystem domain IMS-B. The control information passes several Call/Session Control Functions CSCF in both IMS-A and IMS-B. Requirements for interception of control information, also called Intercept related information IRI, are being standardised within the 3GPP and ETSI. Figure 1 discloses interception of IRI according to prior art. The control information is hereby copied into a lawful interception database LI-DB located in relation to a serving CSCF in IMS-A, i.e. S-CSCF-A. The information is then forwarded from the LI-DB to a lawful interception monitoring facility LEMF, where the IRI is monitored. Information that is of interest to monitor can for example be if a certain subscriber has made a call, to whom the call was made and for how long time. After a call has been set-up between the subscriber A and B, the media flow MF between the subscribers is routed via an edge-node EDGE-A in the access network ACNW-A, the backbone network BBNW and via an edge-node EDGE-B in the access network ACNW-B.

According to the present invention, which now will be discussed, it is the content of communication that is of particular interest to monitor and furthermore to conceal the monitoring to involved parties.

Figure 2 discloses interception according to the invention. The figure shows the same network as was disclosed in figure 1. The IP multimedia subsystem domain IMS-A in figure 2 comprises a media-handling node MHN. MHN is a collective term for different types of gateways. The media-handling node MHN is disclosed more in detail and will be further

explained in figure 3. A database, for example the lawful interception database LI-DB contains identification of what subscribers that are to be intercepted. In this first embodiment, the first subscriber A is to be intercepted and consequently an identification of A is stored in LI-DB. When a call is set-up between the subscriber A and the subscriber B, monitoring according to the invention takes place. Before this monitoring is explained, the media-handling node MHN will be explained together with figure 3.

10

Figure 3 discloses the media-handling node MHN shown in figure 2. The media-handling node can for example be a PSTN gateway used in public switching networks, a video gateway for video applications or a conference bridge used in multiple party conferences. The MHN in figure 3 comprises so-called first ports PI1-PI5 and second ports PO1-PO5. A media session flow between two subscribers is transported bi-directional in the media-handling node MHN between a first and second port. In the example in figure 3, five media session flows are transported in the MHN. According to the invention every session that is set up in the node MHN is assigned an extra port XP1-XP5 in the MHN. A media session between PI1 and PO1 for example is the cause of an extra port XP1. Media multiparty sessions between more than two ports in the MHN are treated in a similar way. If a session is set up between one first port PI1 and a number of second ports, PO1-PO_n, an extra port PX1 is always assigned to this session.

The invention will now be further explained together with figure 2 and 3. The first subscriber A is, as mentioned, the subscriber for which monitoring is requested. An identification of the first subscriber A is stored in the database LI-DB. Monitoring starts when a connection is set-up between the first subscriber A and a second subscriber, in this example the subscriber B. Media flow session is

35

hereby transported through the media-handling node MHN via the ports PI3 and PO3. Extra ports are set up in the node MHN for each session that is set up in the node independent of if monitoring is requested or not. An extra port XP3 is
5 in this case set up adherent to the session between the first and second subscriber A and B. An indicator FLAG is sent from the database LI-DB to the edge node EDGE-A indicating that this session is to be monitored. Since the session is to be monitored the edge node initiates
10 connecting of the extra port XP3, for example via a router RO, see figure 2. The media flow session between the ports PI3 and PO3 is hereby forwarded from the media-handling node MHN to the lawful interception monitoring facility LEMF, via the extra port XP3 and the router RO, see figure 2 and 3. As
15 an alternative, the indicator can be forwarded to the media handling node MHN whereby the extra port is connected. The indicator is added to the normal signalling associated with the session.

20 In figure 4 some essential steps of the invention is disclosed in a flowchart. The flowchart is to be read together with the earlier shown figure 2 and 3. The method for monitoring media session according to the invention comprises the following steps:

- 25 - An extra port XP1-XP5 is assigned to the media-handling node MHN for each new session that is transported through the node. This step is shown in figure 4 by a block 101.
- An identification of the first subscriber A for which monitoring is desired is stored in the database LI-DB.
30 This step is shown in figure 4 by a block 102.
- A connection between the first subscriber A and a second subscriber B is set up. This step is shown in figure 4 by a block 103.

- An extra port XP1 that is adherent to the session between the first and second subscriber A, B is connected. This step is shown in figure 4 by a block 104.
- The session between the first and second subscriber is monitored via the extra port XP1. This step is shown in figure 4 by a block 105.

Different variations are of course possible within the scope of the invention. The two subscribers A and B can be situated in the same access network or in different access networks in different countries. The subscriber unit for which interception is desired may have roamed to an access network in another country than the country of the subscribers home access network. In the embodiments, the subscriber A is the monitored subscriber and if using standard telecommunication terminology it can be assumed that the subscriber A also is the calling subscriber while subscriber B is the called subscriber. It is to be noted that the claimed invention also covers cases when the monitored subscriber is the called subscriber. Also conference calls involving more than two parties is covered by the claimed invention and of course also when more than one subscriber in the conference is monitored. It is important to observe that interception only is one type of monitoring for which the invention is applicable. Other types of monitoring might for example be monitoring of the type of media flow or quality measurements monitoring. The flag indicator is in the example sent during the call set-up session but can of course also be sent after the call set-up has finished in which case the media flow is re-routed via the lawful interception server.

The invention is not limited to the above described and in the drawings shown embodiments but can be modified within the scope of the enclosed claims.

CLAIMS

1. Method for monitoring media session flow in a telecommunication network comprising a media-handling node (MHN) through which, sessions between subscribers are transported via first ports (PI1-PI5) and second ports (PO1-PO5) *characterised* by assigning an extra port (XP1-XP5) to the media-handling node (MHN) for each new session that is transported through the node, which method comprises the following further steps:
 - 5
 - 10 - storing in a database (LI-DB), identification of a first subscriber (A) for which monitoring is desired;
 - setting up a connection between the first subscriber (A) and a second subscriber (B);
 - assigning an extra port (XP1) that is adherent to the session between the first and second subscriber (A, B);
 - 15 - connecting the assigned extra port (XP1) that is adherent to the session between the first and second subscriber (A, B);
 - monitoring the session between the first and second subscriber via the connected extra port (XP1).
 - 20

2. Method for monitoring media session flow in a telecommunication network according to claim 1, which method comprises the following further step:
 - 25 - sending an indicator (FLAG) from the database (LI-DB) indication that the extra port (XP1) is to be connected.

3. Method for monitoring media session flow in a telecommunication network according to claim 2 whereby

the indicator (FLAG) is sent from the database (LI-DB) to the media-handling node (MHN).

4. Method for monitoring media session flow in a telecommunication network according to any of claim 1 to 3, which method comprises the following further step:

- setting up a three-part conference between the two involved subscribers (A and B) and a monitoring facility (LEMF).

10

5. Arrangement to monitor media session flow in a telecommunication network comprising a media-handling node (MHN) through which, sessions between subscribers are transported via first ports (PI1-PI5) and second ports (PO1-PO5) *characterised by*

15

- means for assigning an extra port (XP1-XP5) to the media-handling node (MHN) for each new session that is transported through the node;

20

- means for storing in a database (LI-DB), identification of a first subscriber (A) for which monitoring is desired;

- means for setting up a connection between the first subscriber (A) and a second subscriber (B);

25

- means for connect an assigned extra port (XP1) that is adherent to the session between the first and second subscriber (A, B);

- means for monitoring the session between the first and second subscriber via the connected extra port (XP1).

6. Arrangement to monitor media session flow in a telecommunication network according to claim 5 comprising means for sending an indicator (FLAG) from the database (LI-DB) indication that the extra port (XP1) is to be connected.

7. Arrangement to monitor media session flow in a telecommunication network according to claim 5 or 6 comprising means for setting up a three-part conference between the two involved subscribers (A and B) and a monitoring facility (LEMF).

15

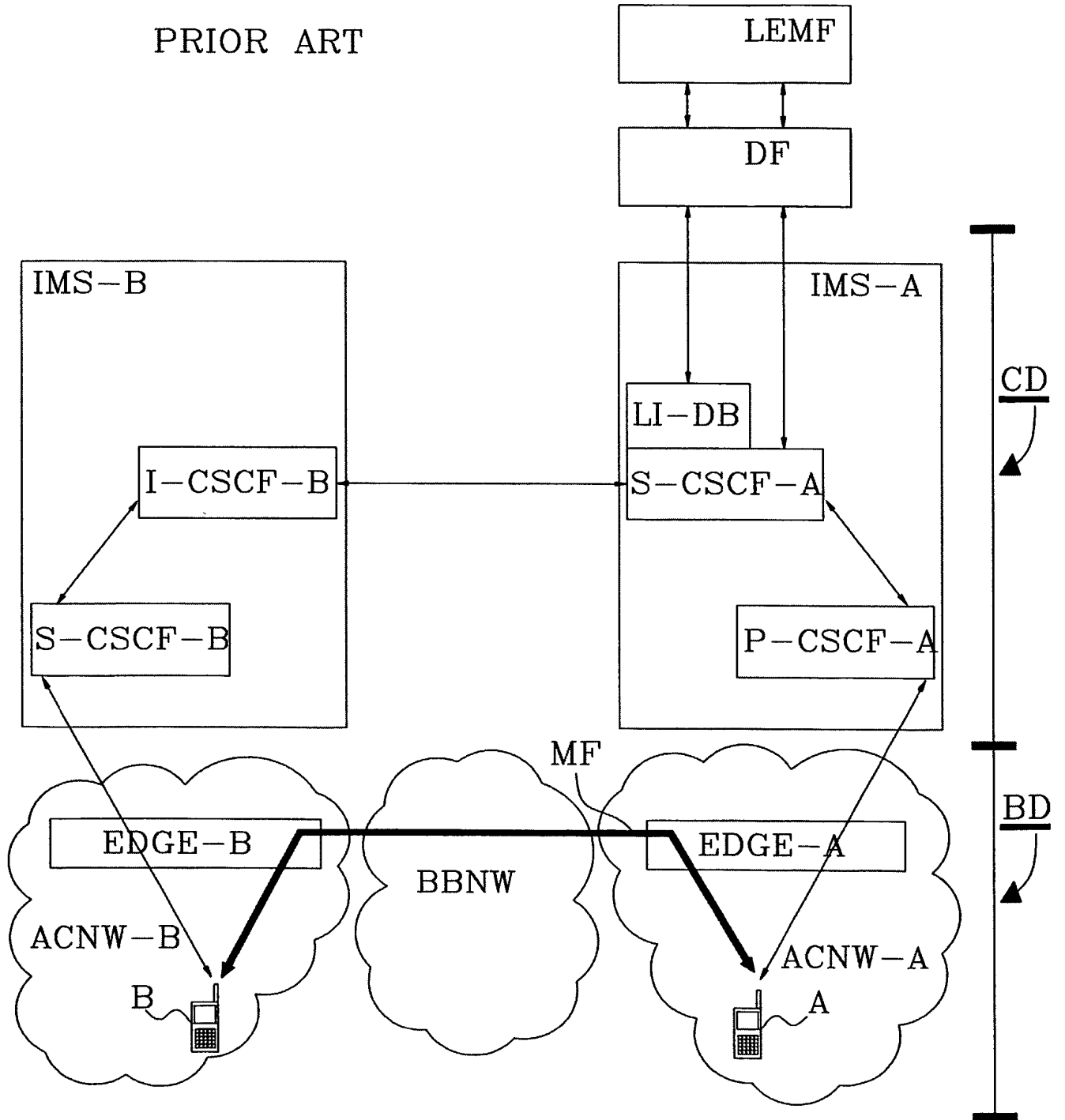


Fig. 1

2/4

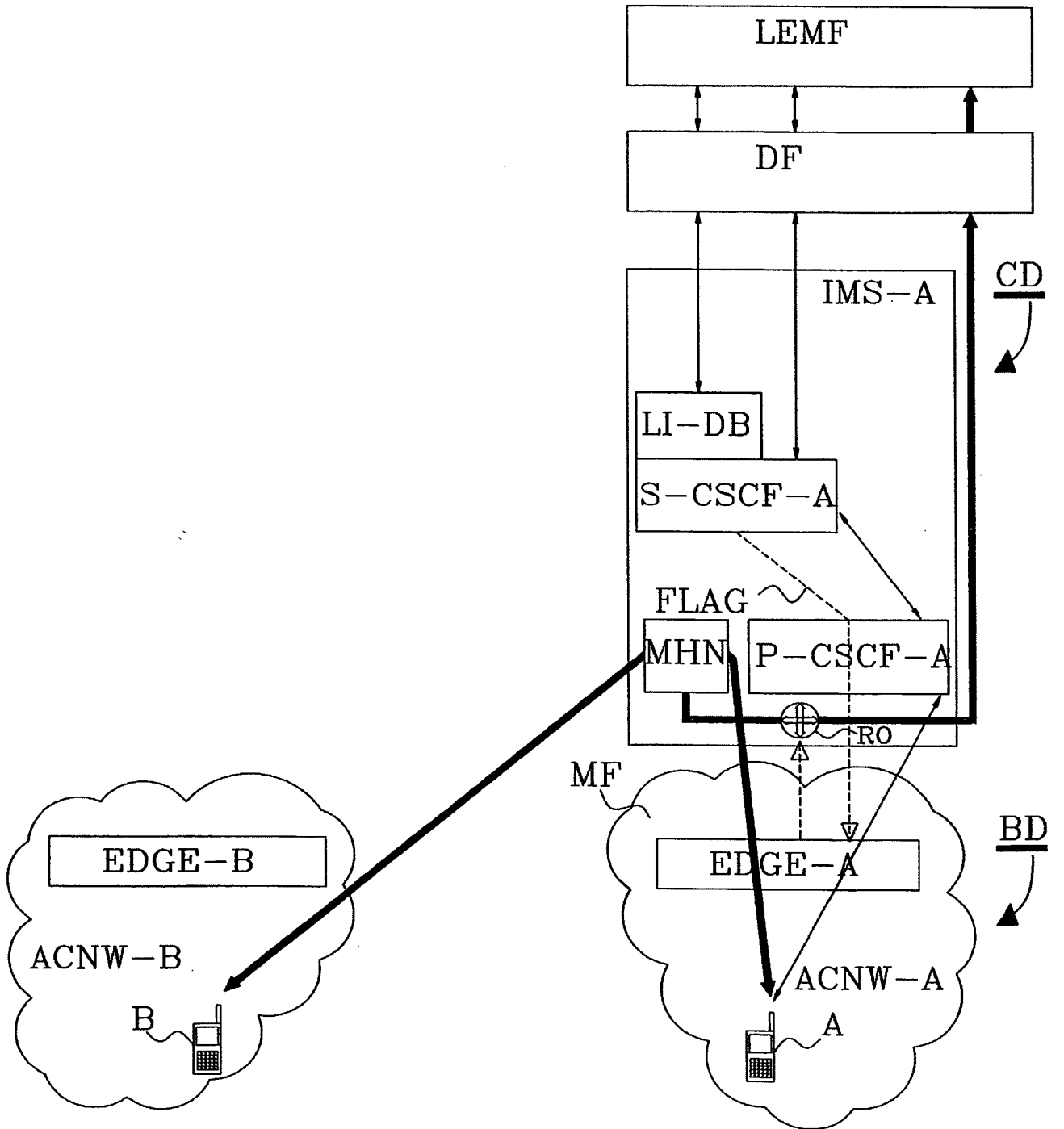


Fig. 2

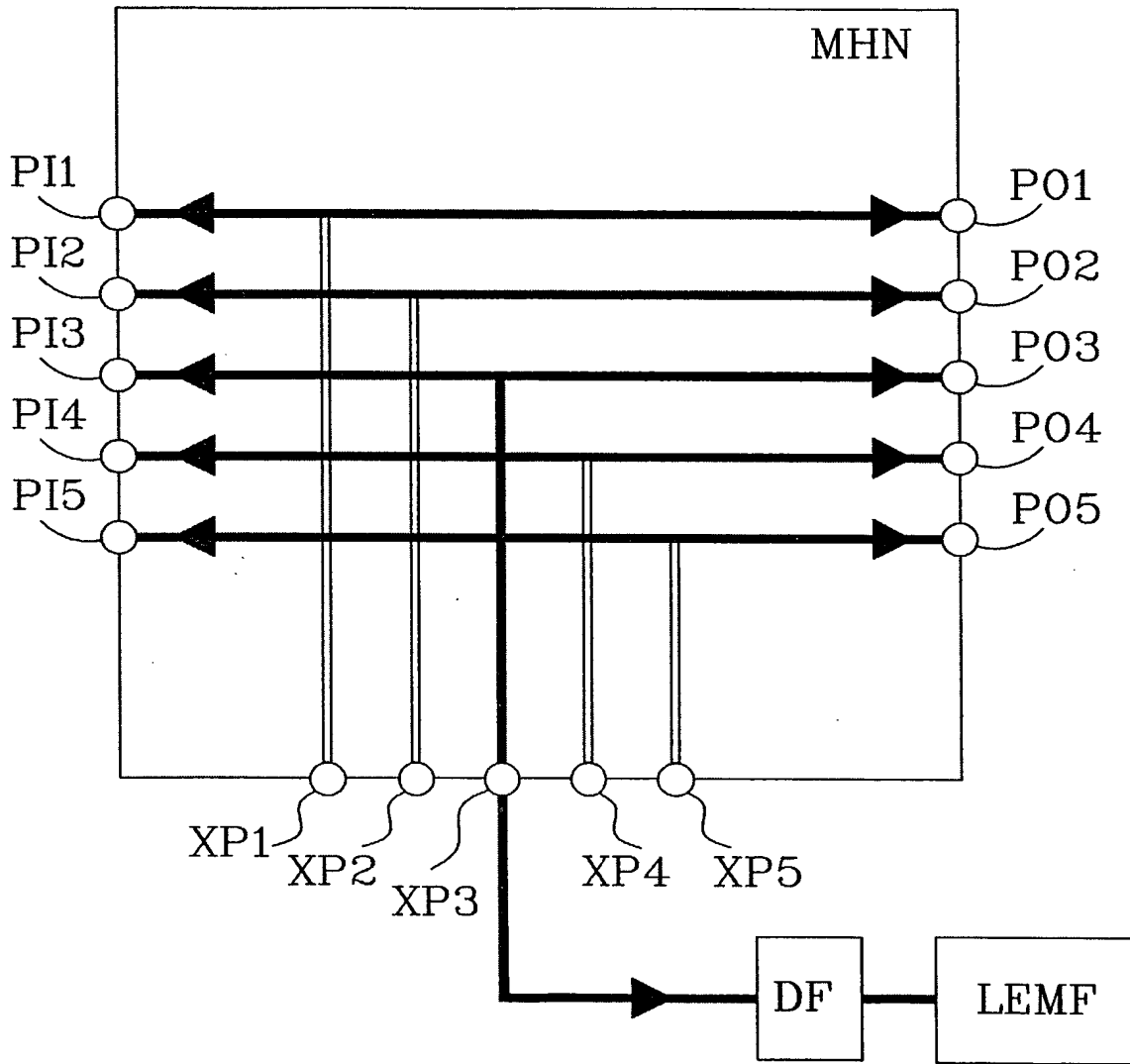


Fig. 3

4/4

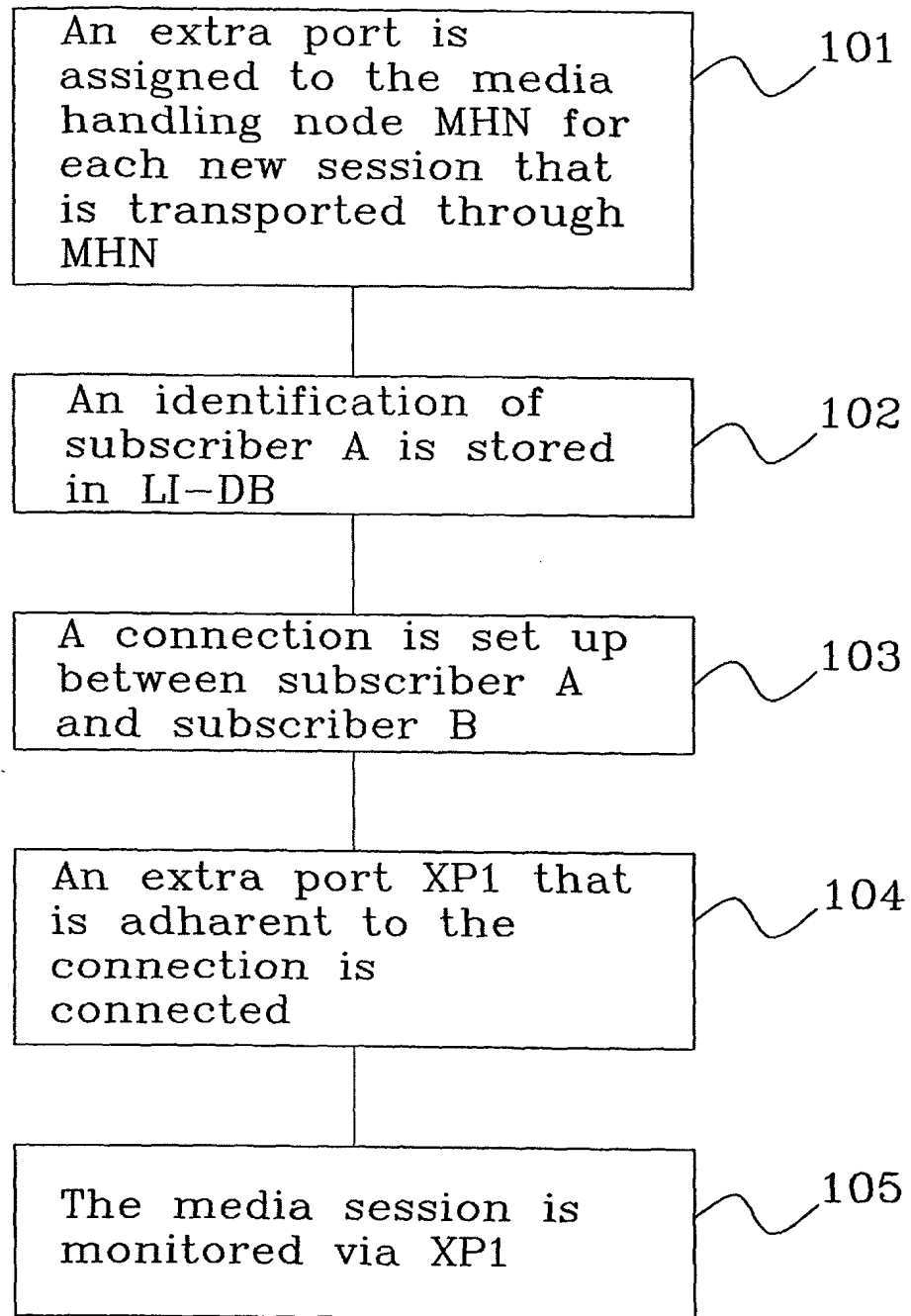


Fig. 4

INTERNATIONAL SEARCH REPORT

International application No.
PCT/SE 2003/001392

A. CLASSIFICATION OF SUBJECT MATTER

IPC7: H04L 12/26

According to International Patent Classification (IPC) or to both national classification and IPC

B. FIELDS SEARCHED

Minimum documentation searched (classification system followed by classification symbols)

IPC7: H04Q, G06F, H04L

Documentation searched other than minimum documentation to the extent that such documents are included in the fields searched

SE,DK,FI,NO classes as above

Electronic data base consulted during the international search (name of data base and, where practicable, search terms used)

EPO-INTERNAL, WPI DATA, PAJ

C. DOCUMENTS CONSIDERED TO BE RELEVANT

Category*	Citation of document, with indication, where appropriate, of the relevant passages	Relevant to claim No.
A	EP 1265454 A1 (TELEFONAKTIEBOLAGET LM ERICSSON (PUBL)), 11 December 2002 (11.12.2002), abstract --	1-7
A	US 5742765 A (DAVID WONG ET AL), 21 April 1998 (21.04.1998), column 1, line 40 - column 2, line 32 --	1-7
A	US 2001005372 A1 (ELLIS K. CAVE ET AL), 28 June 2001 (28.06.2001), abstract -- -----	1-7

Further documents are listed in the continuation of Box C. See patent family annex.

* Special categories of cited documents:	"T" later document published after the international filing date or priority date and not in conflict with the application but cited to understand the principle or theory underlying the invention
"A" document defining the general state of the art which is not considered to be of particular relevance	"X" document of particular relevance: the claimed invention cannot be considered novel or cannot be considered to involve an inventive step when the document is taken alone
"E" earlier application or patent but published on or after the international filing date	"Y" document of particular relevance: the claimed invention cannot be considered to involve an inventive step when the document is combined with one or more other such documents, such combination being obvious to a person skilled in the art
"L" document which may throw doubts on priority claim(s) or which is cited to establish the publication date of another citation or other special reason (as specified)	"&" document member of the same patent family
"O" document referring to an oral disclosure, use, exhibition or other means	
"P" document published prior to the international filing date but later than the priority date claimed	

Date of the actual completion of the international search

9 March 2004

Date of mailing of the international search report

18-03-2004

Name and mailing address of the ISA/
Swedish Patent Office
Box 5055, S-102 42 STOCKHOLM
Facsimile No. +46 8 666 02 86

Authorized officer

Stefan Hansson/mj
Telephone No. +46 8 782 25 00

INTERNATIONAL SEARCH REPORT

Information on patent family members

27/02/2004

International application No.

PCT/SE 2003/001392

EP	1265454	A1	11/12/2002	WO	02102111 A	19/12/2002

US	5742765	A	21/04/1998	NONE		

US	2001005372	A1	28/06/2001	AU	5045300 A	30/01/2001
				EP	1205062 A	15/05/2002
				US	6404746 B	11/06/2002
				US	2001005382 A	28/06/2001
				WO	0105127 A	18/01/2001
